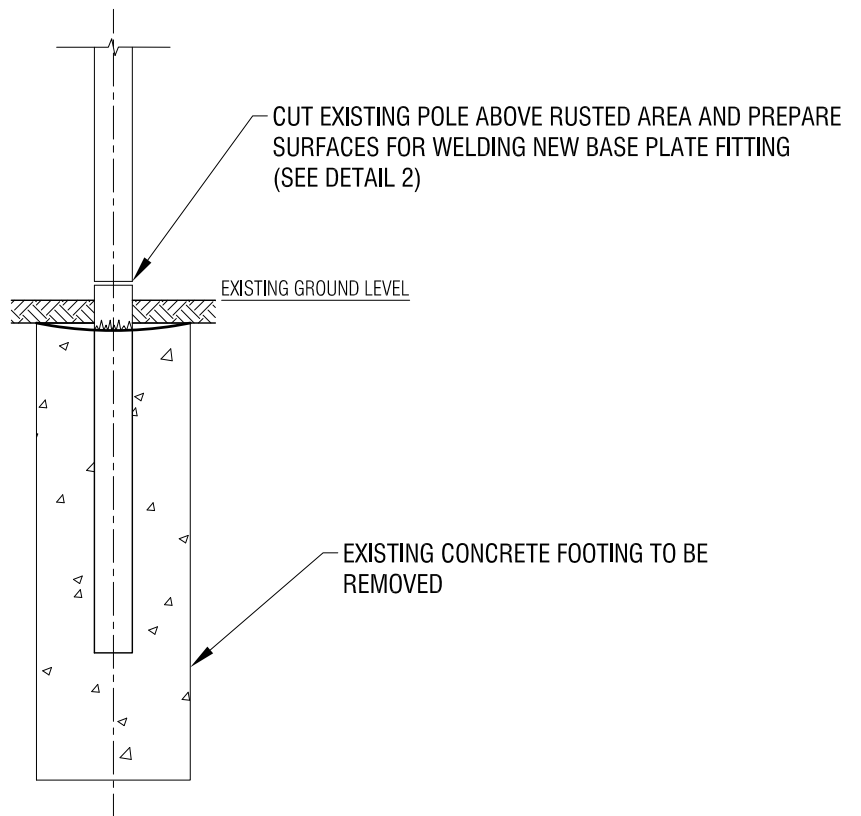


DETAIL 1

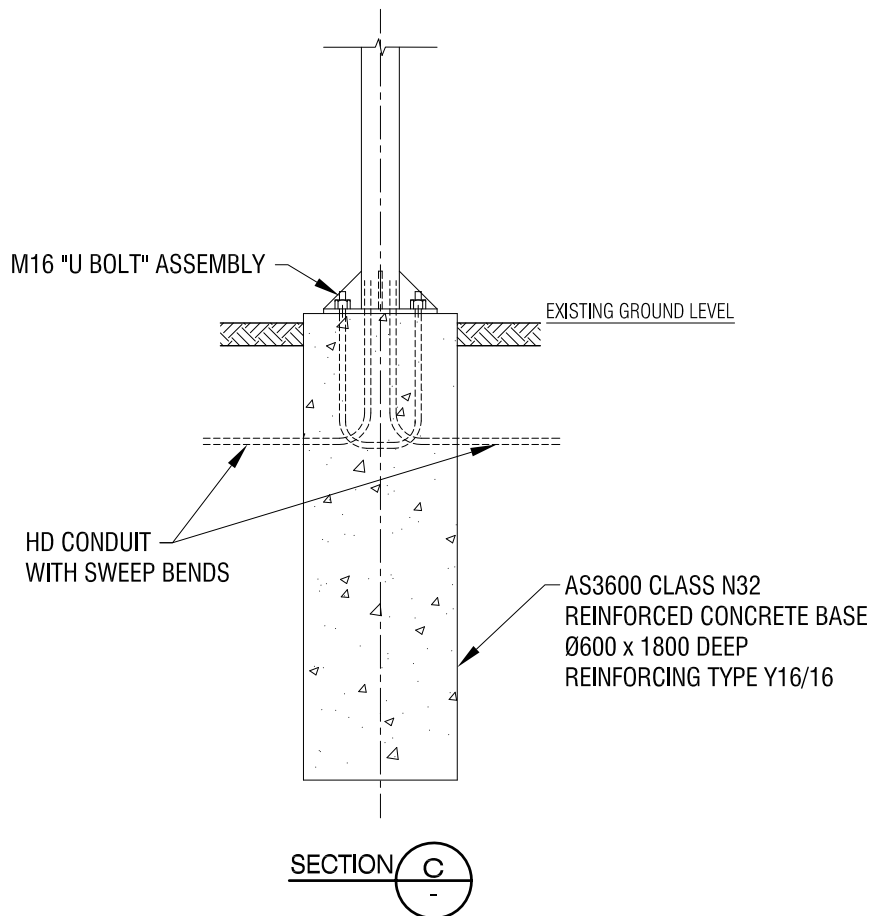
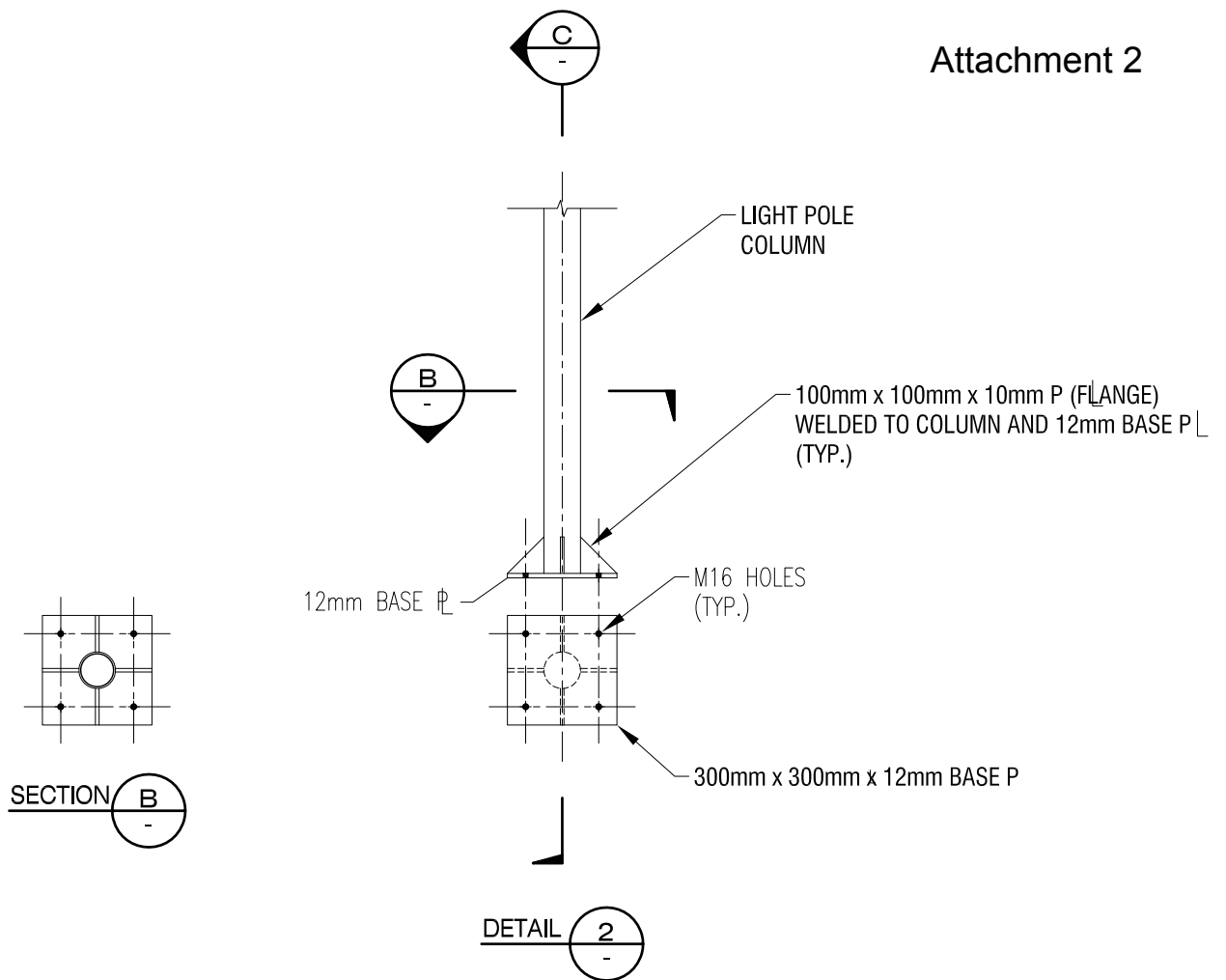


SECTION A

EXISTING POLE FOOTING ILLUSTRATION

FOR EXISTING FITMENT DETAIL - TO BE REPLACED

SCALE 1:20



PROPOSED NEW POLE FOOTING ILLUSTRATION

FOR PROPOSED BASE PLATE REFITTING DETAIL

SCALE 1:20